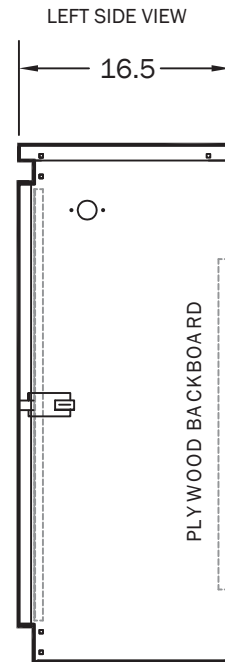
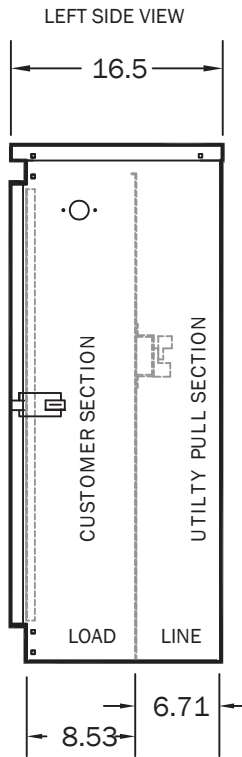
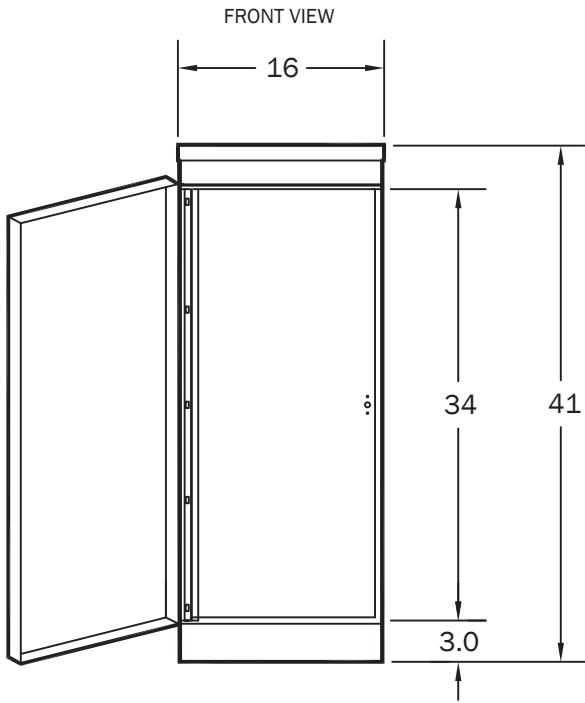




USPU-41

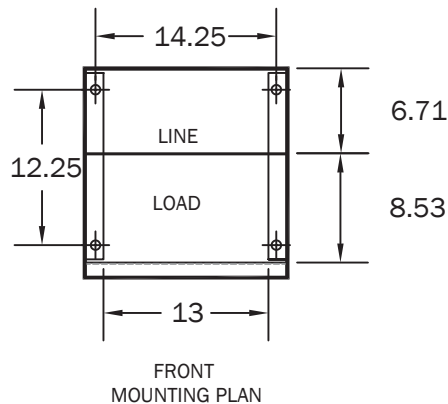
Model Series

0 - 200 AMPS 0 - 600 VOLTS



TO
DEADFRONT
WHEN
PROVIDED

OPTION:
W/O PULL SECTION



UNMETERED SERVICE PEDESTAL

TYPICAL APPLICATIONS INCLUDE
UNMETERED STREET LIGHTING

STANDARD FEATURES

UTILITY LANDING LUGS 250 KCMIL
STANDARD VOLTAGE 120/240VAC 1 PHASE 3 WIRE
CIRCUIT BREAKER INTERIOR PER JOB SPECIFICATIONS
DEADFRONT CONSTRUCTION AS REQUIRED

SPECIFICATIONS

- NEMA 3R CONSTRUCTION
- POLYESTER POWDER-COATED FINISH
EXCEEDS ASTM B-117 SPECIFICATIONS
- FABRICATED FROM CORROSION-RESISTANT
ZINC COATED STEEL
- AVAILABLE IN ALUMINUM & STAINLESS STEEL

- LIGHT GREEN COLOR NO. 14672 PER
FEDERAL SPECIFICATIONS 595 -
CUSTOM COLORS AVAILABLE
- ALL FACTORY WIRING 600 VOLT RATED COPPER
- ALL COMPONENTS UL LISTED
- ALL EXTERIOR DOORS AND COVERS PADLOCKABLE
- UTILITY COVERS SEALABLE