



MODEL SERIES



AMPERES

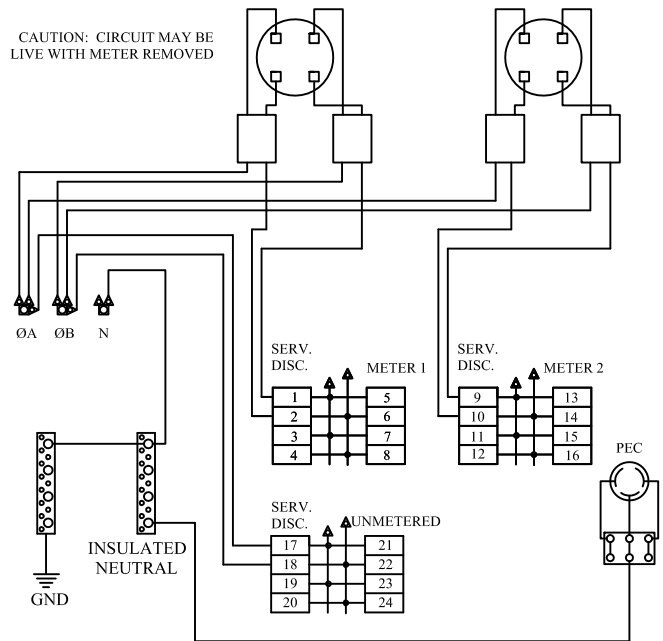
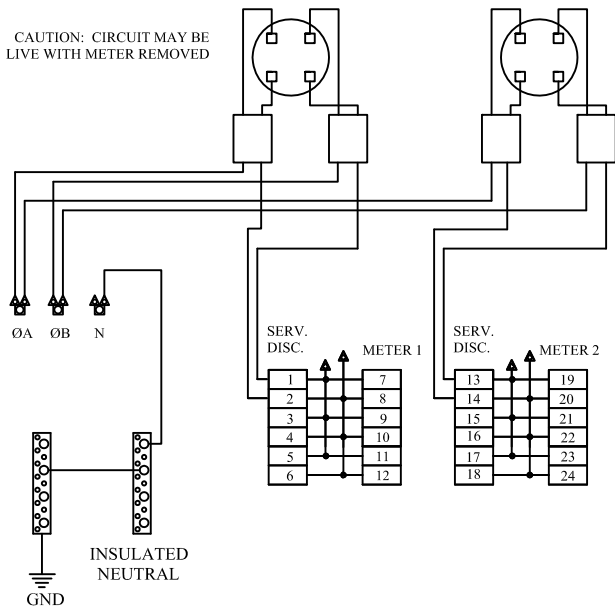
VOLTS

STANDARD CATALOG NUMBERS

CATALOG NUMBER	AMPS	VOLTAGE	PHASE	MAIN	BRANCH CIRCUITS	AIC RATING
USPD-2M2100-11212CTB2	100	120/240	1PH 3W	YES	10 & 10	10,000
USPD-2M2100-188CTB2	100	120/240	1PH 3W	YES	6 & 6	10,000
USPD-3M2100-1888CTB2	100	120/240	1PH 3W	YES	6 & 6 & 6	10,000
USPD-2M2100-11212CTB2-SD	100	120/240	1PH 3W	YES	12 & 12	42,000
USPD-3M2100-1888CTB2-SD	100	120/240	1PH 3W	YES	8 & 8 & 8	42,000

CAT.NO. USPD-2M2100-11212CTB2

CAT.NO. USPD-3M2100-1888CTB2



CAT.NO. USPD-2M2100-11212CTB2-42

