



MODEL SERIES



AMPERES

VOLTS

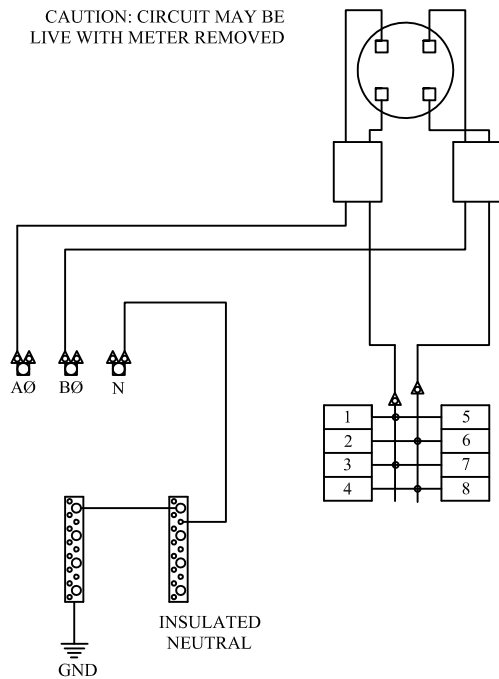
STANDARD CATALOG NUMBERS

<u>CATALOG NUMBER</u>	<u>AMPS</u>	<u>VOLTAGE</u>	<u>PHASE</u>	<u>MAIN</u>	<u>BRANCH CIRCUITS</u>	<u>AIC RATING</u>
USPDI-100-108CTB	100	120/240	1PH 3W	NO	8	10,000
USPDI-M2100-108CTB	100	120/240	1PH 3W	YES	6	10,000

CAT. NO. USPDI-100-108CTB

CAT. NO. USPDI-M2100-108CTB

CAUTION: CIRCUIT MAY BE LIVE WITH METER REMOVED



CAUTION: CIRCUIT MAY BE LIVE WITH METER REMOVED

