

SINGLE METER SERVICE PEDESTAL

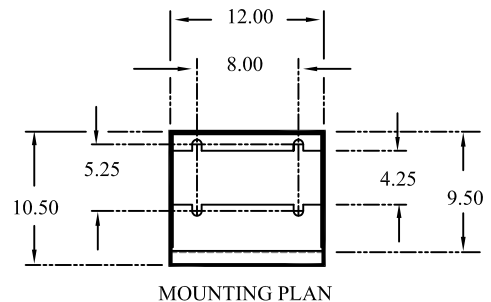
TYPICAL APPLICATIONS INCLUDE HIGHWAY, STREET SIGN LIGHTING AND TRAFFIC SIGNAL CIRCUITS.

STANDARD FEATURES

- METER SOCKET WITH TEST BLOCKS 4-JAW
- STANDARD VOLTAGE 120/240VAC 1-PHASE 3-WIRE
- AVAILABLE WITH ALL METERED CIRCUITS
- OR METERED AND UNMETERED CIRCUITS
- SEPARATE DEADFRONTS FOR BREAKERS AND COMPONENTS
- PHOTOELECTRIC SOCKET, RELAYS AND TEST SWITCH
- AS REQUIRED PER JOB SPECIFICATIONS

CITY OF FRESNO STANDARD

INCLUDES EXTERIOR RECEPTACLE AND TRANSFER SWITCH FOR TRAFFIC SIGNAL POWER



SPECIFICATIONS

- * COMPLIES WITH EUSERC STANDARDS & DWG. 308
- * MEETS CITY OF FRESNO SPECIFICATIONS
- * NEMA 3R CONSTRUCTION
- * POLYESTER POWDER-COATED FINISH
- EXCEEDS ASTM B-117 SPECIFICATIONS
- * FABRICATED FROM CORROSION-RESISTANT ZINC COATED STEEL
- * AVAILABLE IN ALUMINUM & STAINLESS STEEL
- * LIGHT GREEN COLOR NO. 14672 PER FEDERAL SPECIFICATIONS 595 - CUSTOM COLORS AVAILABLE
- * ALL FACTORY WIRING 600 VOLT RATED COPPER
- * ALL COMPONENTS UL LISTED
- * ALL EXTERIOR DOORS AND COVERS PADLOCKABLE
- * UTILITY COVERS SEALABLE