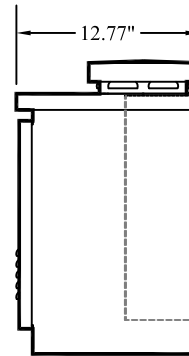
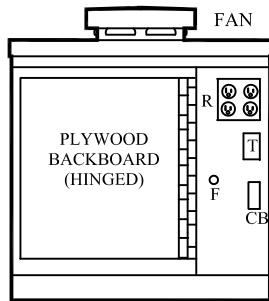


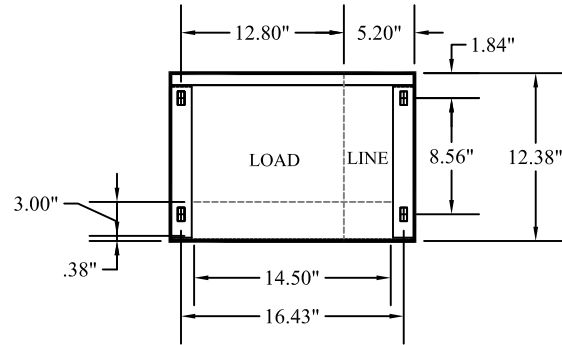
FRONT VIEW



SIDE VIEW



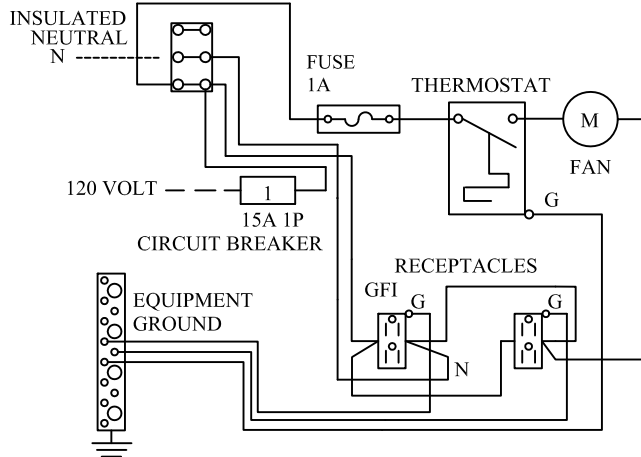
FRONT VIEW  
(LESS HINGED DOOR)



FOUNDATION PLAN

CAT. NO. TDB-TYPE C 120VAC 1PH 2WIRE 15AMPS

### WIRING DIAGRAM



### TELEPHONE DEMARCATION BOX

#### STANDARD FEATURES

- 15A 1P CB 10K
- (1) 15A GFI DUPLEX RECEPTICLE
- (1) 15A DUPLEX RECEPTICLE
- 1 AMP ABC FUSE
- THERMOSTAT
- FAN-125V MOTOR, 25CMF EXHAUST CAP. MIN.
- HINGED PLYWOOD DOOR
- BOLTED PLYWOOD BACKBOARD
- MOUNTING BASE PLATE

CAL TRANS STANDARD TYPE "C" 2006 ES-3F SPEC.

### SPECIFICATIONS

- \* NEMA 3R CONSTRUCTION
- \* FABRICATED FROM CORROSION-RESISTANT .125 ALUMINUM

- \* ALL FACTORY WIRING 600 VOLT RATED COPPER
- \* ALL COMPONENTS UL LISTED
- \* ALL EXTERIOR DOORS AND COVERS PADLOCKABLE