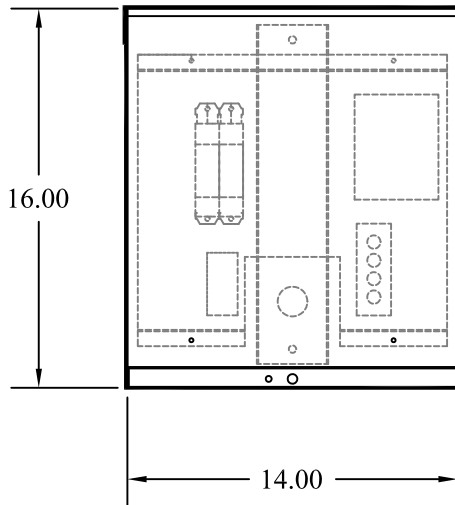
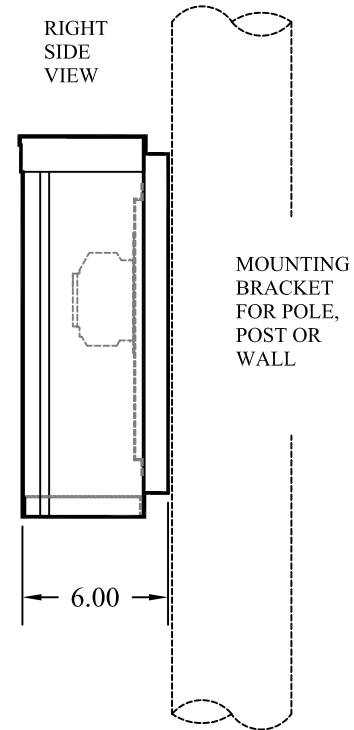


FRONT VIEW

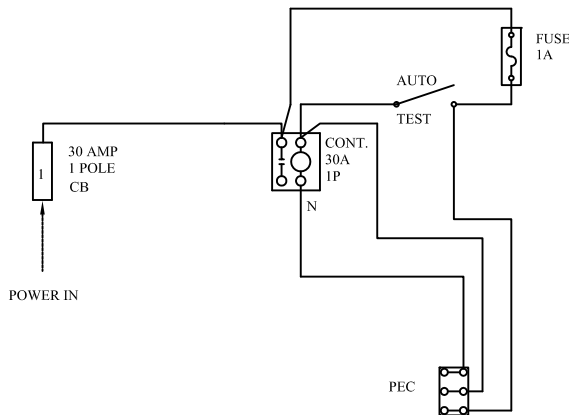


RIGHT SIDE VIEW



TYPICAL WIRING DIAGRAM

CAT. NO. PEC3-120CT 120VAC 1PH 2WIRE 30AMPS
 SHOWN WITH OPTIONAL COMPONENTS



PHOTOELECTRIC CONTROL
 SIGN CONTROL

TYPICAL APPLICATIONS INCLUDE
 SIGN LIGHTING CONTROL AND
 REMOTE PHOTOELECTRIC
 CELL CONTROL

STANDARD FEATURES

- TERMINAL BLOCK FOR EXIT WIRING
- TEST SWITCH
- PROTECTIVE FUSING
- LIGHTING CONTACTOR AS REQUIRED
- CIRCUIT BREAKERS AS REQUIRED

CAL TRANS TYPE SC
 AND TYPE III PE

SPECIFICATIONS

- NEMA 3R CONSTRUCTION
- * POLYESTER POWDER-COATED FINISH
- EXCEEDS ASTM B-117 SPECIFICATIONS
- * FABRICATED FROM CORROSION-RESISTANT ZINC COATED STEEL

- * ASA 61 GRAY COLOR
- * ALL FACTORY WIRING 600 VOLT RATED COPPER
- * ALL COMPONENTS UL LISTED
- * ALL EXTERIOR DOORS AND COVERS PADLOCKABLE