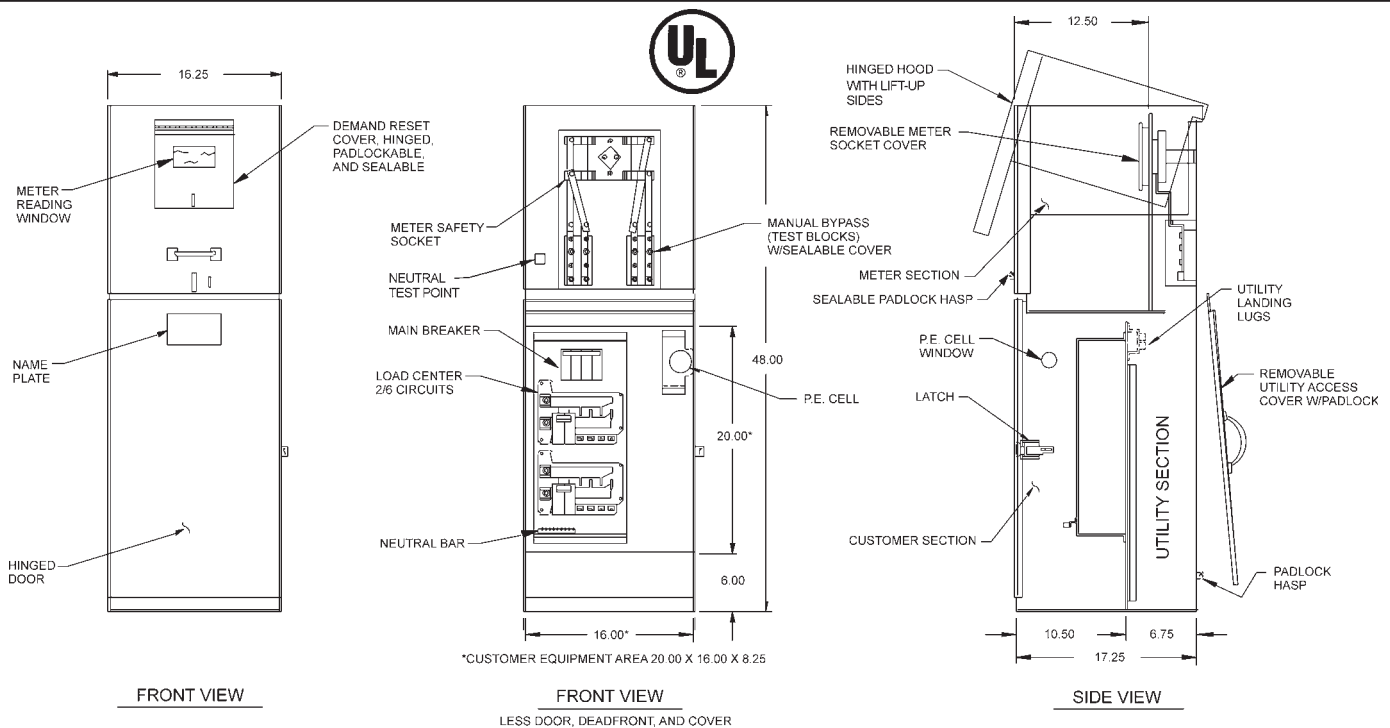




MEUG16-TS

(formerly MEUGL-TS)
Caltrans Type III-BF

Traffic signal and street lighting service. Designed to supply both metered and unmetered power from the same service cabinet.



STANDARD FEATURES

- Standard voltage 120/240V 1Ø 3W.
- Meter Socket: 4 jaw, 100 amps or 200 amps.
- Meter socket with test blocks.
- 2-6 circuit copper bussed interiors, metered/unmetered.
- Main Breaker: 100 amp, 10k AIC.
- Utility Landing Lugs: 200 amps, 250 kcmil.
- Utility test section.
- Vandal-resistant hinged door and deadfront.
- Light green powder coat finish in accordance with ASTM B-117. Custom colors available.

OPTIONAL FEATURES

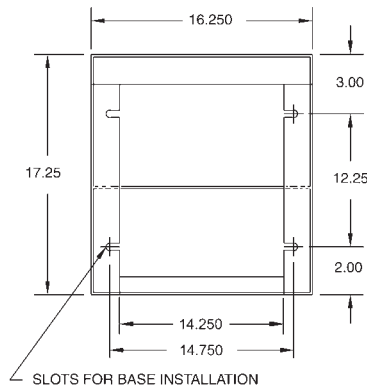
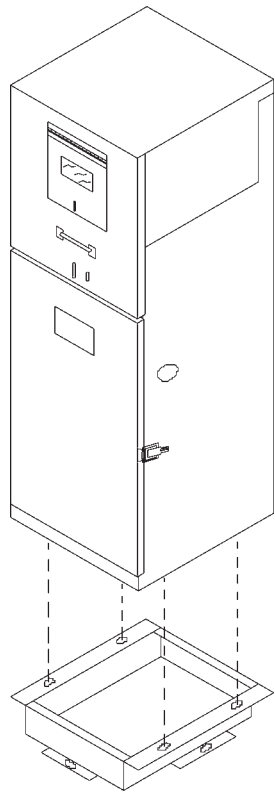
- Meter Sockets: 5 jaw or 7 jaw, 100 amps or 200 amps.
- Maximum voltage 480Y/277V 3Ø 4W (may affect optional equipment).
- Higher AIC available upon request.
- Aluminum and stainless steel cabinets.
- Uni-body construction available in steel, stainless steel, and aluminum.
- P.E. cell, test switch, lighting relay may be added to standard.
- Some equipment modifications available. Consult your factory representative.
- Pad Mounting Base available for concrete foundation. Order separately - MEUG16-BASE.
- Anchor Bolts. Order separately - 714548 (quantity 4).

SPECIFICATIONS

- 12-gauge corrosion-resistant zinc-coated steel construction. Hood and covers 14-gauge.
- Rainproof Type 3R enclosure.
- Complies with Caltrans specification ES-2E.
- Meets EUSERC 308 requirements.
- Acceptable circuit breakers are GE, ITE, Crouse-Hinds/Murray, Cutler-Hammer.
- All factory wiring is 600 volt rated copper.
- Vandal resistant enclosure has side-hinged door and deadfront for easy installation and maintenance.
- Suitable for use without main when no more than six service disconnects are installed and used in accordance with article 384 of the NEC.
- Listed by Underwriters Laboratories, Inc.

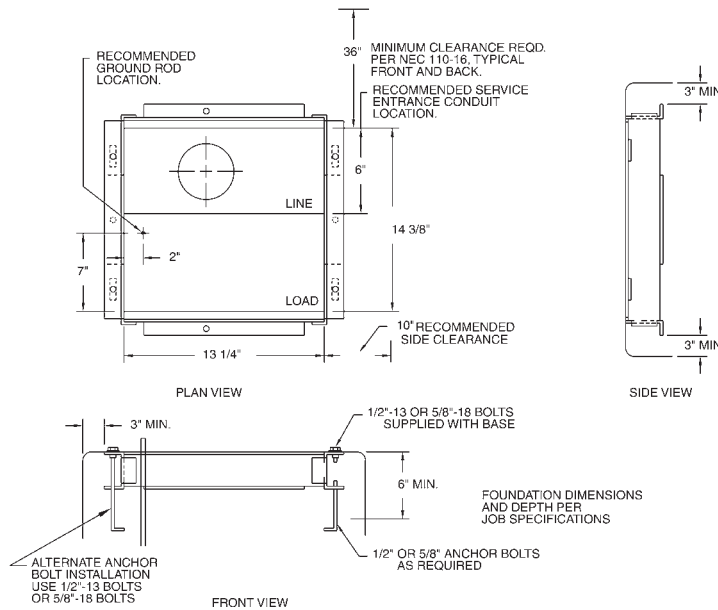
Standard Models
 Custom Configurations also available.
 Consult your factory representative.

Catalog No.	Amps	Voltage	Main	AIC Rating
MEUG16-100TS	100	120/240	NONE	10,000
MEUG16-M100TS	100	120/240	100A	10,000
For aluminum enclosure, order MEUG16A- For stainless steel enclosure, order MEUG16X-				



BOTTOM VIEW
MOUNTING SLOT DETAIL

BASE DETAIL



Tel: 866-MY-MYERS Fax: 951-520-1961
 www.myerspowerproducts.com