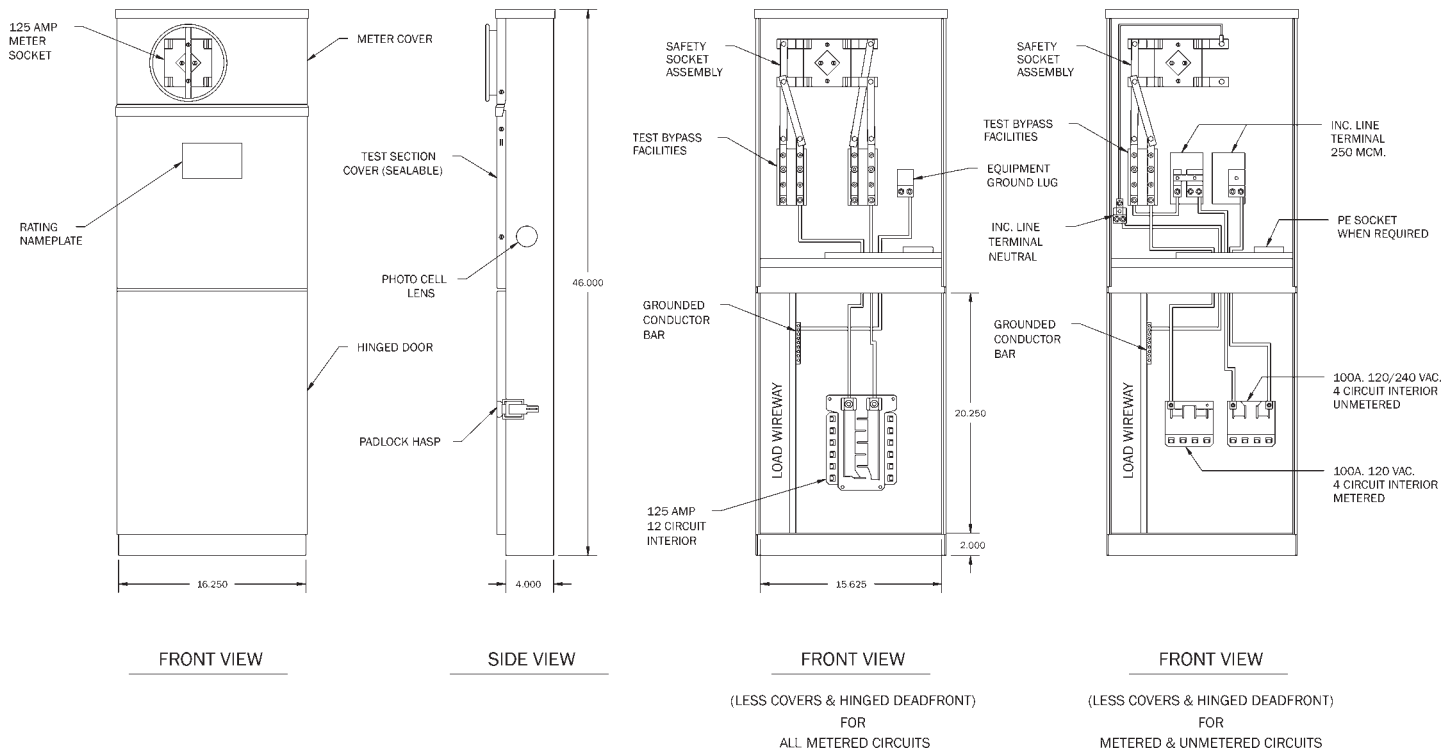


Traffic Service Pedestal. Designed to mount on traffic signal controller.  
Multiple configurations – all metered or combination metered/unmetered.



### STANDARD FEATURES

- Standard voltage 120/240V 1Ø 3W.
- Meter Socket: 4 jaw, 100 amps or 200 amps.
- Meter socket with test blocks.
- 12 circuit copper bussed interior.
- Main Breaker: 100 amps, 10K AIC.
- Utility Landing Lugs: 200 amps, 250 kcmil.
- Vandal-resistant hinged door and dead front.
- Light green powder coat finish in accordance with ASTM B-117. Custom colors available.

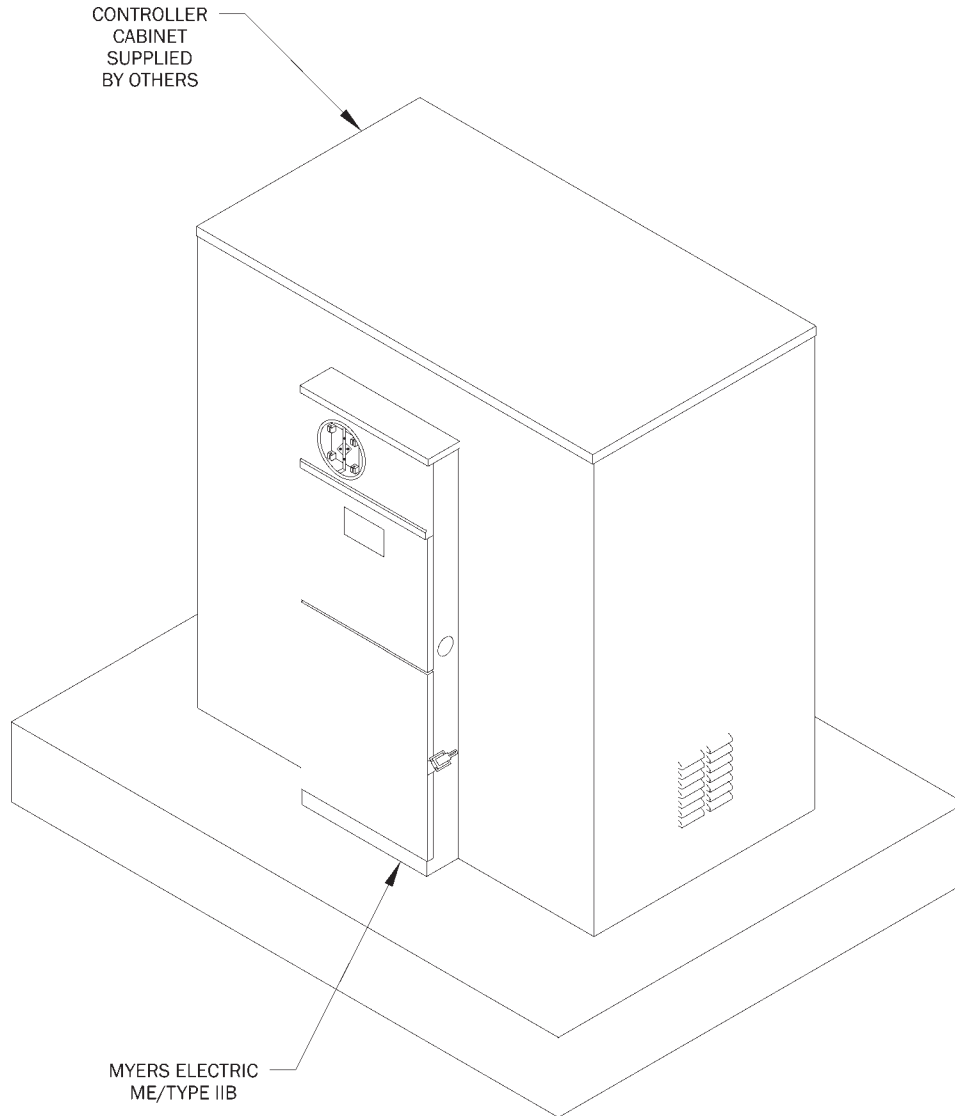
### OPTIONAL FEATURES

- Maximum voltage 480Y/277V 3Ø 4W (may affect enclosure size and optional equipment).
- Higher AIC available upon request.
- Some equipment modifications available. Consult your factory representative.
- Meter Sockets: 5 jaw or 7 jaw, 100 amps or 200 amps.
- Meter sockets with or without test blocks.
- (2) 4 circuit copper bussed interiors.
- Uni-body construction available in steel, stainless steel or aluminum.

### SPECIFICATIONS

- .125 corrosion resistant aluminum construction. Hood and covers .080 aluminum.
- Rainproof Type 3R enclosure.
- Complies with Caltrans specification ES-2E.
- All factory wiring is 600 volt rated copper.
- Utility approved.
- Acceptable circuit breakers are GE, ITE, Crouse-Hinds/Murray, Cutler-Hammer.
- Suitable for use without main when no more than six service disconnects are installed and used in accordance with article 384 of the NEC.

Standard Models <i>Custom configurations also available. Consult your factory representative.</i>	Catalog No.	Amps	Voltage	Main	AIC Rating
		ME-IIB-M/UM-M100	100	120/240	100A
For aluminum enclosure order ME-IIBA-					



TYPICAL INSTALLATION



Tel: 866-MY-MYERS Fax: 951-520-1961  
www.myerspwrproducts.com